

SECTION W

ELECTRICAL EQUIPMENT

ELECTRICAL EQUIPMENT

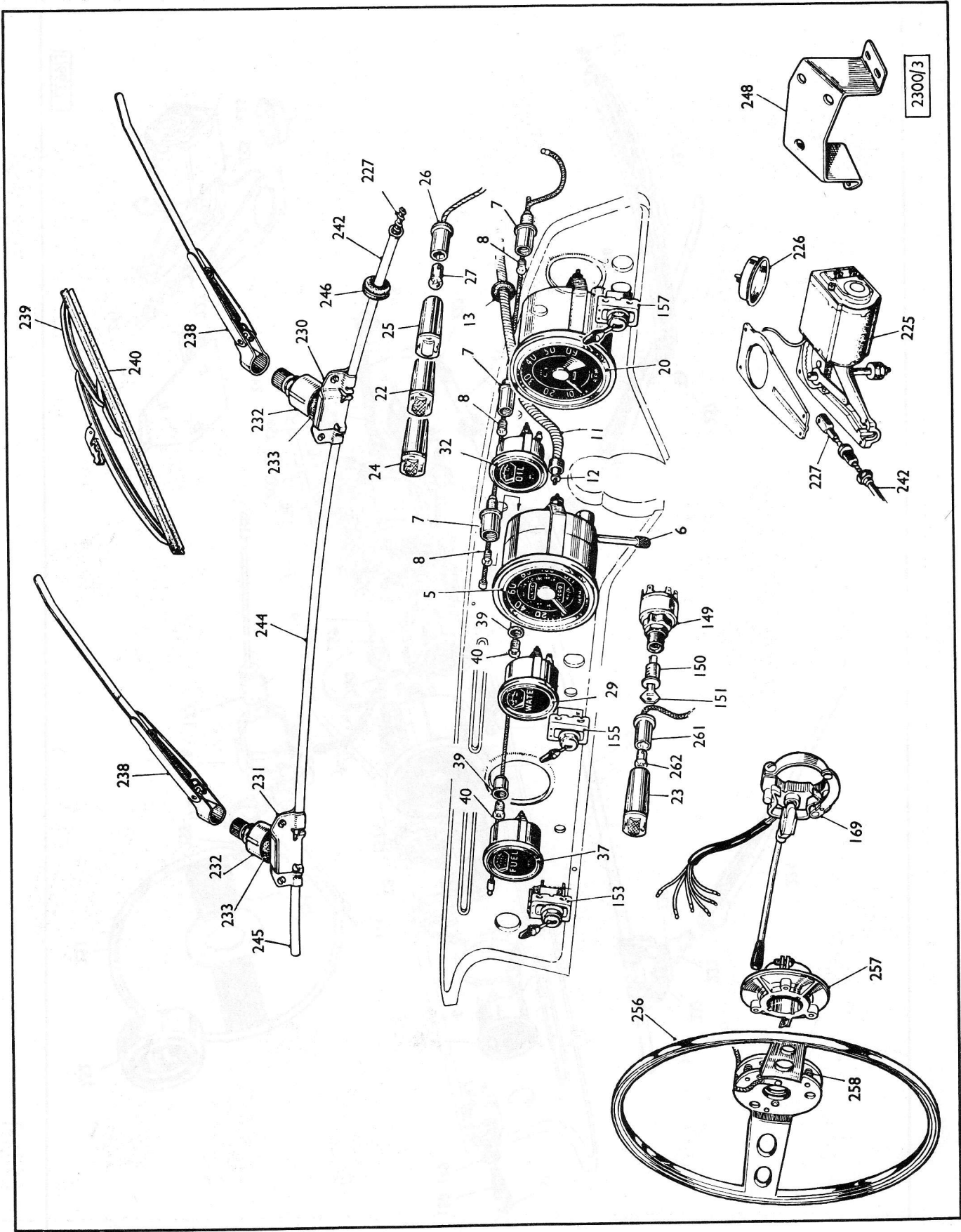


PLATE B — SECTION W

ELECTRICAL EQUIPMENT

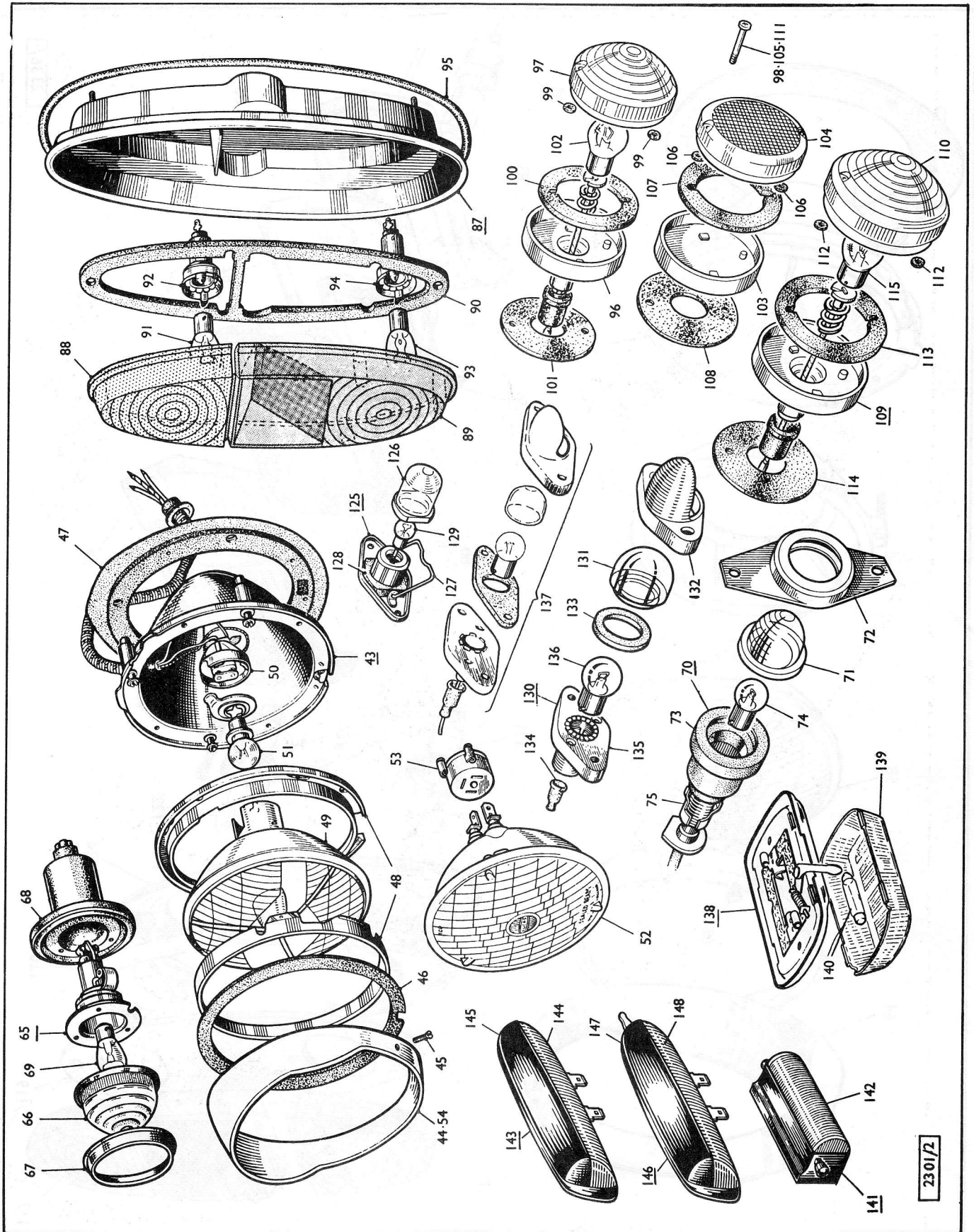


PLATE C — SECTION W

Lit. 023

2301/2

ELECTRICAL EQUIPMENT

2336/1

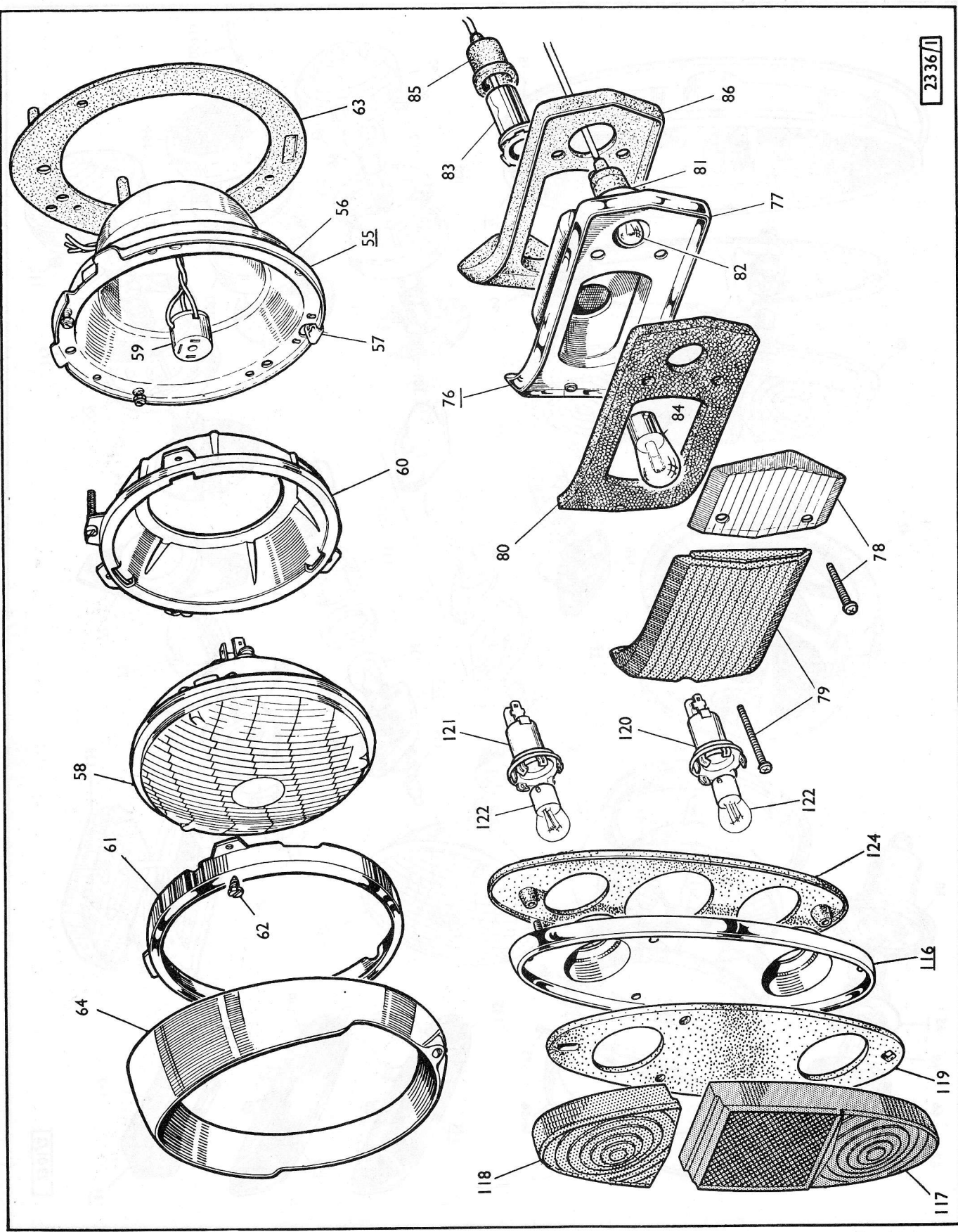
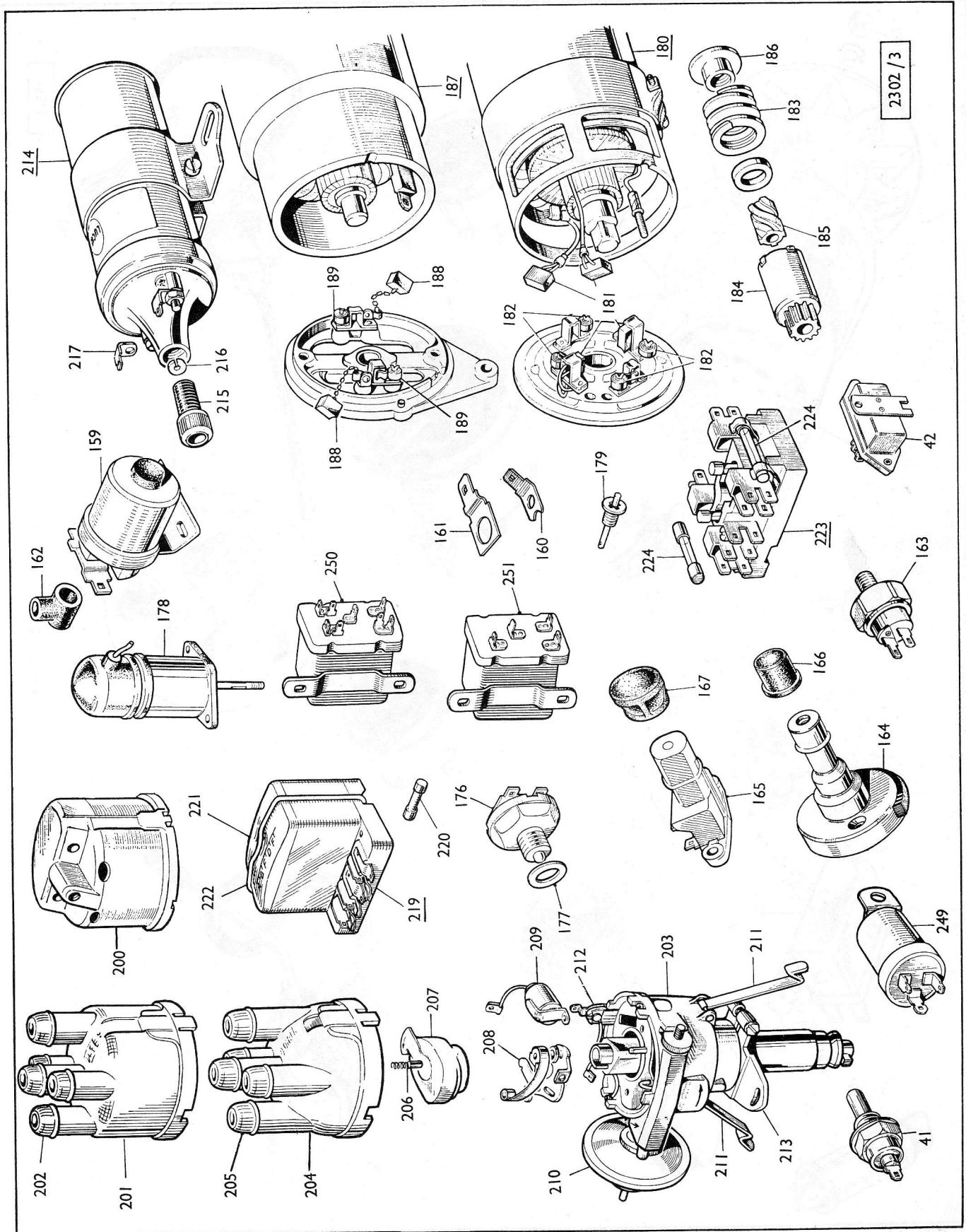


PLATE D — SECTION W

Lit. 023

ELECTRICAL EQUIPMENT



2302 / 3

PLATE E — SECTION W

Lit. 023

ELECTRICAL EQUIPMENT

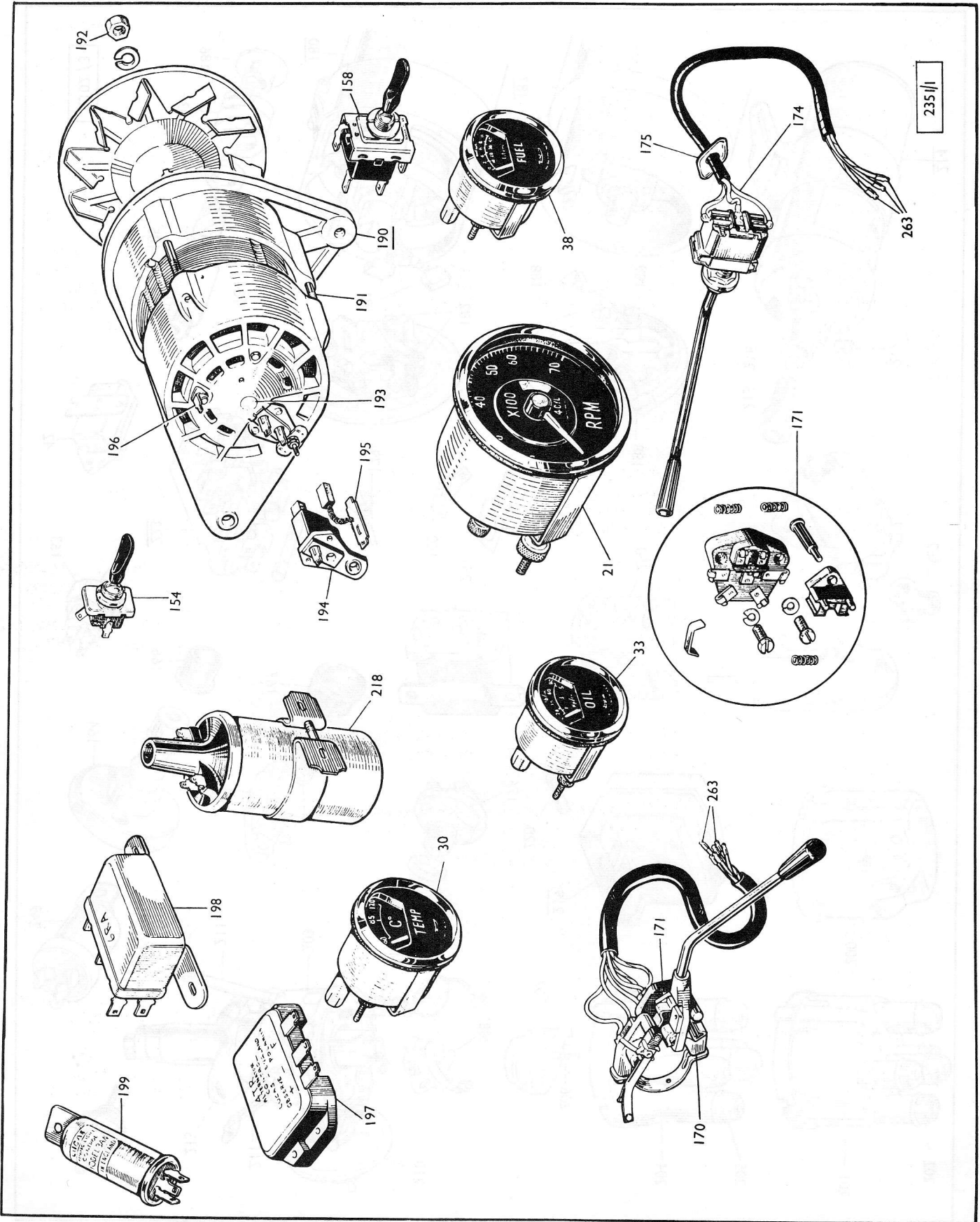


PLATE F — SECTION W

Lit. 023

ELECTRICAL EQUIPMENT

Plate Ref.	Part Number	DESCRIPTION	No. per Veh.	REMARKS		
INSTRUMENTS						
A1	1046560 s/d by 1046609	SPEEDOMETER—M.P.H. } SN6117/00	1	Up to B9105974 No longer available Up to B9106592 From B9106593 up to Series III Up to B9105974 No longer available Up to B9106592 From B9106593 up to Series III		
	1046609	SPEEDOMETER—M.P.H. } Standard SN6117/01	1			
	1206264	SPEEDOMETER—M.P.H. } transmission SN6117/11	1			
	1046611 s/d by 1046612	SPEEDOMETER—K.P.H. } without SN6117/03	1			
	1046612	SPEEDOMETER—K.P.H. } Overdrive SN6117/04	1			
	1206265	SPEEDOMETER—K.P.H. } SN6117/12	1			
	1046610	SPEEDOMETER—M.P.H. } Standard SN6117/02	1			
	1206264	SPEEDOMETER—M.P.H. } transmission SN6117/11	1			
	1046613	SPEEDOMETER—K.P.H. } with SN6117/05	1			
	1206265	SPEEDOMETER—K.P.H. } Overdrive SN6117/12	1			
	A2	5038012	Trip cable—Speedometer 41-741-150-53		1	Series I and II
	A3	5037338	Bulb holder Panel 41-761-111-36		1	
	A4	K.26785	Bulb, 12 volt, 2-2 watt } lights L987		1	
			Bulb holder } Warning } See Chassis			
		Bulb ... } lights ... } Harness				
	1217909	SPEEDOMETER—M.P.H. } Standard transmission SN5324/16	1			
	1217910 s/d by 1223588	SPEEDOMETER—K.P.H. } without Overdrive ... SN5324/17	1			
	1218031	SPEEDOMETER—M.P.H. } Standard transmission SN5324/18	1			
	1218032	SPEEDOMETER—K.P.H. } with Overdrive ... SN5324/19	1			
	5038012	Trip cable—Speedometer 41-741-150-53	1			
B5	1223587	SPEEDOMETER—M.P.H. } SN5324/25	1	Series IV up to B9410000 BU, B94600000 CKD.		
	1223588	SPEEDOMETER—K.P.H. } Standard SN5324/26	1			
			transmission			
	1224524	SPEEDOMETER—M.P.H. } without Overdrive ... 5324/33	1			
	1224525	SPEEDOMETER—K.P.H. } 5324/34	1	Series IV from B94100001 BU, B94600001 CKD.		
B6	1223540	SPEEDOMETER—M.P.H. } Standard transmission SN5324/23	1	Series IV		
	1223541	SPEEDOMETER—K.P.H. } with Overdrive ... SN5324/24	1			
	5042331	Trip cable—Speedometer 41-118-101-08	1			
	1224524	SPEEDOMETER—M.P.H. } Automatic SN5324/33	1			
	1224525	SPEEDOMETER—K.P.H. } transmission SN5324/34	1			
	5042291	Trip cable—Speedometer 41-118-101-02	1			
	1235840	SPEEDOMETER—M.P.H. } Standard transmission SN5324/50	1			
	1235841	SPEEDOMETER—K.P.H. } without Overdrive ... SN5324/51	1			
1235842	SPEEDOMETER—M.P.H. } Overdrive SN5324/52	1	Series V			
1235843	SPEEDOMETER—K.P.H. } SN5324/53	1				
5044713	Trip cable—Speedometer 41-118-101-08	1				
B7	1206418	Bulb holder c/w cable—Instrument illumination	1	Series III and IV up to B9400100		
	K.26785	Bulb, 12 volt, 2-2 watt L987	3			
	1224302 s/d by 1206418	Bulb holder c/w cable—Speedometer, Oil gauge, Rev. counter illumination	1			
	K.26785	Bulb, 12 volt, 2-2 watt—Oil gauge and Speedometer ... L987	2			
	5042230 s/d by K26785	Bulb, 12 volt, 3-6 watt—Rev. counter L984	1			
B8	1206418	Bulb holder c/w cable—Instrument illumination	1	Series IV from B9402483 onwards		
	K.26785	Bulb, 12 volt, 2-2 watt L987	3			

ELECTRICAL EQUIPMENT

Plate Ref.	Part Number	DESCRIPTION	No. per Veh.	REMARKS
		INSTRUMENTS—continued		
A9	P.46376 s/d by P.46249	Speedometer cable, 69" long	1	
A10	5030240	Inner cable	1	
	1203225 s/d by P.46249	Speedometer cable, 66" long	1	
	K.30119	Inner cable	1	
B11	P.46249	Speedometer cable, 66" long	1	} Std. transmission } Series without O/drive & } I, II, Auto. transmission } III,IV
B12	K.30119	Inner cable	1	
	P.46249	Speedometer cable, 66" long	1	} Std. transmission without O/drive up to B395002182 (Series V)
	K.30119	Inner cable } R.H.D.	1	
	1238811	Speedometer cable, 63" long	1	} Std. transmission without O/drive from B395002183
	5044765	Inner cable	1	
	P.45508	Speedometer cable, 72" long	1	} Std. transmission with O/drive up to B395002178
	K.25673	Inner cable	1	
	P.46249	Speedometer cable, 66" long	1	} Std. transmission with O/drive from B395002179
	K.30119	Inner cable	1	
	P.45621	Speedometer cable, 84" long	1	} Std. transmission without O/drive up to B395002175
	K.25674	Inner cable	1	
	1207811	Speedometer cable, 75" long	1	} Std. transmission without O/drive from B395002176
	5038484	Inner cable } L.H.D.	1	
	P.45621	Speedometer cable, 84" long	1	} Std. transmission with O/drive up to B395002181
	K.25674	Inner cable	1	
	1205771	Speedometer cable, 81" long	1	} Std. transmission with O/drive, from B395002182
	5038069	Inner cable	1	
AB13	9118529	Grommet—Speedometer cable	1	
	19503042	Screw, No. 10 × 1/2" ...	1	
	9663122 s/d by 9663123	Washer, 3/8" shakeproof } Speedometer trip cable	1	} Series I, II and III
	5220700	Nut, No. 10 UNF. ...	1	
A14	1046561	REVOLUTION COUNTER	1	Up to 1206266 From B9106593 LHD and B9105975 RHD. up to Series III
	1206266	REVOLUTION COUNTER	1	
A15	5037338	Bulb holder } Panel	1	} Series I and II
A16	K.26785	Bulb, 12 volt, 2-2 watt } light	1	
		Bulb holder } Warning } See Chassis		
		Bulb ... } lights ... } Harness		
	1206221	REVOLUTION COUNTER	1	Series III
A17	1046568	Revolution counter cable, 38" long	1	} R.H.D.
A18	5037340	Inner cable	1	
	1046616	Revolution counter cable, 66" long	1	} L.H.D.
	5037341	Inner cable	1	
A19	9118529	Grommet—Revolution counter cable	1	
B20	1223701 s/d by 1228779	REVOLUTION COUNTER (Impulse)	1	} Positive Earth
	1228778 s/d by 1228779	REVOLUTION COUNTER (Impulse)	1	
	1228779	REVOLUTION COUNTER (Impulse)	1	

ELECTRICAL EQUIPMENT

Plate Ref.	Part Number	DESCRIPTION	No. per Veh.	REMARKS
		INSTRUMENTS—continued		
F21	1235772	REVOLUTION COUNTER (Impulse)—Negative Earth ... RVI/2411/02	1	} Series V
	1218035	Warning light body—Main beam (Blue) ...	1	
	1200267	Warning light body—Ignition (Red) ...	1	
	1217989	Warning light body—Flasher (Green) ...	1	
	1218036	Warning light body—Overdrive (Opal) ...	1	
	5220069	Bulb holder—Overdrive warning light ...	1	
	K.26644	Bulb, 12 volt, 2 watt ...	1	
B22	1223841	Warning light body—Main beam (Blue) ...	1	} Series IV from B9400946 onwards
B23	1223840	Warning light body—Ignition (Red) ...	1	
B24	1223842	Warning light body—Flasher (Green) ...	1	
B25	1223843	Warning light body—Overdrive (Opal) ...	1	
B26	5220069	Bulb holder—Overdrive warning light ...	1	
B27	K.26644	Bulb, 12 volt, 2 watt ...	1	
		Bulb holder } Warning } See Chassis Bulb ... } lights ... } Harness ...	3	
			3	
A28	1046558	s/d by 1800356 THERMOMETER ...	1	Series I and II
B29	1218103	THERMOMETER ...	1	Series III and IV
F30	1235775	THERMOMETER ...	1	Series V up to intro. 1239812
	1239812	THERMOMETER ...	1	From B395016586
A31	1046559	OIL GAUGE ...	1	Series I and II
B32	1215384	OIL GAUGE ...	1	Series III and IV
	1235774	s/d by 1238861 OIL GAUGE ...	1	Series V up to intro. 1238861
F33	1238861	OIL GAUGE ...	1	From B395004502
	9079099	Cork washer—Oil gauge ...	1	
A34	1046716	PETROL (Fuel) GAUGE ...	1	Home cars only up to B9000102 less 003, 005, 008 and 056
	1046557	PETROL (Fuel) GAUGE ...	1	Home cars only from B9000103 plus 003, 005, 008 and 056, also all Export up to Series III
A35	5037339	Bulb holder ... } Panel ...	3	} Series I and II
A36	K.26785	Bulb, 12 volt, 2·2 watt } lights ...	3	
B37	1206437	PETROL (Fuel) GAUGE ...	1	Series III and IV
F38	1235778	PETROL (Fuel) GAUGE ...	1	Series V
B39	1206419	Bulb holder c/w cable—Instrument illumination ...	1	} Series III onwards
B40	K.26785	Bulb, 12 volt, 2·2 watt ...	2	
	P.46371	Element } Thermometer ...	1	Series I and II
E41	1205552	Element } Thermometer ...	1	Series III onwards
E42	1205576	VOLTAGE REGULATOR ...	1	Series III onwards up to intro. 1801197
	1801197	VOLTAGE REGULATOR ...	1	From B395015061
	9734066	s/d by 9774066 Screw, No. 10 × 3/8"—Voltage regulator ...	1	

ELECTRICAL EQUIPMENT

Plate Ref.	Part Number	DESCRIPTION	No. per Veh.	REMARKS
HEADLAMPS — Series I and II				
C43	5037292	HEADLAMP } Left 58403B	2	Up to B9008282 From B9008283
	5037666 s/d by 5043780	HEADLAMP } dipping See Data 2F/51 58548A	2	
	5037293 s/d by 5058198	HEADLAMP—Vertical dipping—Duplo bulb ... 58406A	2	
		HEADLAMP—Yellow bulb 58405A	2	
		HEADLAMP—Fitting only 54052059		
		Adaptor 553738		
C44	5037294	Rim—Outer 54520411	2	} Except U.S.A. and Canada from B9108924
	9723125 s/d by 9763125	Rim screw	2	
C45	9763125	Rim screw	2	
	P.43138 s/d by 9020069	Spire nut } Rim	2	} Up to B9008282 From B9008283
	9020038 s/d by 9020069	Spire nut	2	
	9020054	Nut 187117	2	
C46	1046937	Dust excluder—Rim to wing (fender) 552906	2	
C47	K.25489	Gasket—Lamp to wing (fender) 555458	2	} Except U.S.A. and Canada from B9108924
C48	K.23108	Rim—Inner (Front and Rear) 554872	2	
C49	K.25486	Reflector and glass (lens) unit 556599	2	} Left dipping
C50	K.24538	Bulb holder adaptor 554602	2	
	5037060	Reflector and glass (lens) unit 54522683	2	} Vertical dipping
	5037061	Bulb holder adaptor 553738	2	
	5039704	Reflector and glass (lens) unit 54520420	2	} Germany only
	5039685	Bulb holder—Pilot lamp 554710	2	
C51	5037048	Bulb L414	2	} Left dipping Vertical dipping France Germany
	5037063	Bulb L410	2	
	1046741	Bulb—3-pin type L411	2	
	5037599	Bulb—Pilot lamp, 12 volt, 6 watt L989	2	
		HEADLAMP—TYPE F700, Mk. VIII 58489	2	
		Sealed beam unit 54522231	2	} U.S.A. and Canada only from B9108924
		Rim, door 555457	2	
		Screw, fixing rim 198898	2	
		Washer—Screw 161385	2	
		Nut—Rim fixing screw 187117	2	
		Bracket, rim fixing 555704	2	
		Retaining plate—Light unit 554179	2	
		Rim seating—Light unit 554175	2	
		Screw, fixing unit rim 186194	2	
		Adaptor 553738	2	
		Gasket body 54520582	2	
		Spring, fixing unit seating rim 554180	2	
		Screw, trimmer 554182	4	
		Spring, retaining trimmer screw 554202	4	
	39403070 s/d by 39413071	Screw, No. 10 UNF. × 1/8" —Headlamp to wing (fender) ...	6	
	P.44863 s/d by 9179275	Clip—Earthing headlamp	2	
	39304060 s/d by 39314061	Screw, 1/4" UNF. × 3/8" clip	2	

ELECTRICAL EQUIPMENT

Plate Ref.	Part Number	DESCRIPTION	No. per Veh.	REMARKS
HEADLAMPS — Series III				
	1218158 s/d by 5043780	HEADLAMP—Mk. 10 } Left 59034	2	France Caribbean area Germany Sweden Austria Hong Kong
	5043780	HEADLAMP—Mk. 10 } dipping 58811	2	
	1800521 s/d by 5058198	HEADLAMP—Mk. 10—Vertical dipping 59040	2	
		HEADLAMP 59081		
		HEADLAMP 59084		
		HEADLAMP 59314		
		HEADLAMP 59082		
		HEADLAMP 59083		
		HEADLAMP		
	5041417 s/d by 5043565	Body assembly 54520661	2	
	5043565	Body assembly 54522342	2	
C52	5041043	Light unit (sealed beam)—Left dipping 54521872	2	
	5037060	Reflector and glass—Vertical dipping 54522683	2	
	5037060	Reflector and glass 54522683	2	
	K.22745	Reflector and glass 553940	2	
	5039704	Reflector and glass 54520420	2	
	1046814	Reflector and glass 54520148	2	
	1800376 s/d by 5037060	Reflector and glass 54520883	2	
	5037060	Reflector and glass 54522683	2	
C53	5037061	Adaptor—Left and Vertical dipping 553738	2	
	1046807	Adaptor 554691	2	
	5039685	Bulb holder—Pilot 554710	2	
	5037063	Bulb—Vertical dipping L410	2	
	1046741	Bulb—3-pin yellow L411	2	
	K.29072	Bulb L370	2	
	5037599	Bulb—Pilot lamp L989	2	
	5037063	Bulb L410	2	
	5037063	Bulb L410	2	
	5041048	Rim—Unit seating 54521538	2	
	5042061 s/d by 5042722	Retaining plate—Light unit 54520549	6	
	5042722	Retaining plate—Light unit 54521913	6	
	5038928	Screw—Fixing light unit 186137	2	
	5040256	Trimmer screw set 54520384	2	
	5037340	Spring retaining bulb 556442	2	
C54	5037294	Rim—Outer 54520411	2	
	1800465	Gasket—Rim to wing (fender) 54520582	2	
	9723125 s/d by 9763125	Screw } Headlamp	2	
	9763125	Screw } rim	2	
		HEADLAMP—TYPE 700, Mk. X 59027	2	
		Sealed beam unit	2	
		Rim, door 54520411	2	
		Screw, fixing rim 198898	2	
		Washer—Screw 161385	2	
		Nut—Rim fixing screw 187117	2	
		Bracket—Rim fixing 555704	2	
		Retaining plate—Light unit 54521913	2	
		Rim seating—Light unit 54521538	2	
		Screw, fixing unit rim 186137	2	

ELECTRICAL EQUIPMENT

Plate Ref.	Part Number	DESCRIPTION	No. per Veh.	REMARKS
		HEADLAMPS — Series III—continued		
		HEADLAMP—TYPE 700, Mk. X—continued		
		Adaptor 553738	2	} U.S.A. and Canada Series III
		Gasket, body 54520582	2	
		Spring, fixing unit seating 54520514	4	
		Screw, trimmer 54520451	4	
		Housing, trimmer screw 54520550	4	
		Nut, trimmer screw 54520551	6	
	39403070 s/d by 39413071	Screw, No. 10 UNF. $\times \frac{7}{16}$ "—Headlamp to wing (fender) ...	2	
	P.44863 s/d by 9179275	Clip } Earthing	2	
	9179275	Clip } headlamp	2	
		HEADLAMPS — Series IV onwards		
D55	1800522	HEADLAMP—Mk. 10—Left dipping (50941)	2	} France Caribbean area Germany Sweden Austria Hong Kong Up to B94100000 BU, B94600000 CKD.
	1800528 s/d 5058419	HEADLAMP—Mk. 10—Vertical dipping (59042)	2	
		HEADLAMP 59085		
		HEADLAMP 59088		
		HEADLAMP 59042		
		HEADLAMP 59086		
		HEADLAMP 59087		
		HEADLAMP		
	1800522	HEADLAMP—Mk. 10—Left dipping (59315)	2	
	1800528 s/d by 5058419	HEADLAMP—Mk. 10—Vertical dipping (59316)	2	
	5043780	HEADLAMP—Left dipping 58811	2	} From B395007546 Alpine V B382002389 Tiger "260" France Caribbean area Germany Sweden Austria Hong Kong Mexico From B94100001 BU, B94600001 CKD.
	1800521 s/d by 5058198	HEADLAMP—Vertical dipping	2	
		HEADLAMP 59320		
		HEADLAMP 59322		
		HEADLAMP 59314		
		HEADLAMP 59321		
		HEADLAMP 59319		
		HEADLAMP		
		HEADLAMP 59318		
	5042054 s/d by 5043565	Body assembly (See Data 2F/64) 54522244	2	
D56	5043565	Body assembly 54522342	2	From B395007546 Alpine V B382002389 Tiger "260"
D57	5041420	Clip and bracket—Outer rim fixing 54522243	2	
D58	5041043	Light unit (Sealed beam)—Left dipping 54521872	2	
	5037060	Reflector and glass—Vertical dipping 54522683	2	
	5037060	Reflector and glass 54522683	2	France and Germany
	1046814	Reflector and glass 54520148	2	Sweden
	K.22744	Reflector and glass 555447	2	Hong Kong
	1800376 s/d by 5037060	Reflector and glass 54520883	2	Austria
	5037060	Reflector and glass 54522683	2	Austria
	K.22745	Reflector and glass 553940	2	Caribbean area
D59	5037061	Adaptor 553738	2	Caribbean area and Hong Kong
	1046807	Adaptor 554691	2	
	5037063	Bulb—Vertical dipping L410	2	

ELECTRICAL EQUIPMENT

Plate Ref.	Part Number	DESCRIPTION	No. per Veh.	REMARKS
		HEADLAMPS — Series IV onwards—continued		
	1046741	Bulb—3-pin—Yellow L411	2	France
	5037063	Bulb, 12 volt, 45/40 watt L410	2	Sweden
	5037063	Bulb, 12 volt, 45/40 watt L410	2	Austria
	K.29072	Bulb, 12 volt, 45/50 watt L370	2	Caribbean area and Hong Kong
D60	5041048	Rim—Unit seating 54521538	2	
	5042061	s/d by 5042722 Retaining plate—Light unit 54520549	2	Early Type
D61	5042722	Retaining plate—Light unit 54521913	2	Late Type
	5058600	Retainer (Plastic) Trimmer screw 54522798	6	From B395007546 Alpine V B382002389 Tiger "260"
D62	5038928	Screw—Unit fixing 186137	6	
	5040256	Trimmer screw set 54520384	2	
		HEADLAMP—Mk. 10 54052367	2	
		Body assembly 54522244	2	
		Clip and bracket—Outer rim fixing 54522243	2	
		Sealed beam unit	2	
		Adaptor—Light unit 553738	2	U.S.A. and Canada up to B9400475
		Rim—Unit seating 54520446	2	
		Retaining plate 54520549	2	
		Screw—Unit fixing 186137	2	
		Trimmer screw set 54520384	2	
		HEADLAMP—Type F700 Mk. 10 59232	2	
		Rim, or door (Chrome) 54522186	2	
		Plate—Light unit retaining 54521913	2	
		Screw—Unit fixing 186137	6	U.S.A. and Canada from B9400476 up to B395007545 Alpine and B392002388 Tiger "260"
		Rim—Unit seating 54522086	2	
		Sealed beam unit 54522231	2	
		Adaptor 553738	2	
		Sleeve terminal 555910	6	
		Spring—Unit seating rim 54520514	2	
		HEADLAMP—Type F700 Mk. 10 59227	2	
		Rim—Door 54521943	2	
		Screw, rim fixing 198898	2	U.S.A./Canada from Alpine V B395007546, Tiger "260" B382002389
		Light unit—Sealed beam 54522231	2	
		Adaptor—Light unit 553738	2	
		Retaining plate—Light unit 54520549	2	
		Nut—Rim fixing screw 187117	2	
D63	1800465	Gasket } Headlamp to 54520582	2	Up to intro. 1228806 From B94101749 and B9472146 Tiger "260"
	1228806	Gasket } wing (fender) 54522490	2	
D64	1217994	Rim 54521966	2	Up to intro. 5037294 From B395007546 Alpine V B382002389 Tiger "260"
	5037294	Rim 54520411	2	
	2239546	Headlamp } Rim 54523725	2	up to intro. 2239546 Tiger II 1st production Alpine V from B395017900
	9179275	Clip—Earthing headlamp	2	
	1236490	CONVERTOR KIT—Continental lighting	1	
		HEADLAMP CONVERSION KIT—Continental lighting		
	5037060	Reflector and glass } Alternative to 54522683	2	
	1046741	Bulb, yellow } 1236490 L411	2	

ELECTRICAL EQUIPMENT

Plate Ref.	Part Number	DESCRIPTION	No. per Veh.	REMARKS
C65	P.46259	SIDE AND FLASHER LAMP (White lens) Type 594	52403D	Series I, II and III
C66	K.29739	Glass (lens)	576983	
C67	K.20617	Rim	572734	
C68	K.29738	Rubber body	576105	
C69	K.26781	Bulb, 12 volt, 21/6 watt	L380	
	9732066 s/d by 9772066	Screw, No. 6 x 3/8"—Side lamp to wing	
	1800258	FRONT FLASHER LAMP (Amber lens)	52574A	Series I, II and III Germany
	K.29738	Body	576105	
	K.20617	Rim	572734	
	5039757	Lens	576108	
	K.26796	Bulb, 12 volt, 21 watt	L382	
	K.28405 s/d by 1800439	Sleeve—Terminal	555910	
	5030717	Bulb holder	576986	
C70	5040146	SIDE AND FLASHER LAMP	52326B	Series II Le-Mans
C71	5040105	Glass (lens)	526502	
C72	5040106	Rim	526508	No longer available
C73	5040107	Rubber body	526503	
C74	K.26780	Bulb, 12 volt, 4 watt ... (Alternative to 5037599)	L222	Series II Le-Mans
	5042359 s/d by 5037599	Bulb, 12 volt, 6 watt	L989	
C75	K.26171	Bulb holder	553780	Amber Flasher Amber Flasher White Flasher White Flasher
D76	1219625	SIDE AND FLASHER LAMP, O/S (R.H.)	52641A	
	1219626	SIDE AND FLASHER LAMP, N/S (L.H.) } Type	52642A	
	1219627	SIDE AND FLASHER LAMP, O/S (R.H.) } 722	52643A	
	1219628	SIDE AND FLASHER LAMP, N/S (L.H.) } ...	52644A	
D77		Body	54574570 (Not supplied)	Series IV onwards
D78	5042317	Lens—Side c/w fixing screws	54575298	
D79	5042318	Lens—Flasher (Amber) c/w fixing screws	54575299	
	5042319	Lens—Flasher (White) c/w fixing screws	54575301	
D80	5042320	Gasket—Lens seating	54574567	
D81		Bulb holder—Side	54933960 (Not supplied)	
D82	5042322	Bulb, 12 volt, 5 watt	501	
D83	K.26068	Bulb holder—Flasher	573832	
D84	K.26796	Bulb—Flasher	L382	
D85	5041314	Grommet—Cable	54572247	
D86	5042323	Gasket—Lamp seating, O/S (R.H.)	54575087	
	5042321	Gasket—Lamp seating, N/S (L.H.)	54575085	
	9020036	Spire nut—Lamp fixing	
	1046555 s/d by 1206423	STOP TAIL AND FLASHER LAMP	53779A	
C87	1206423	STOP TAIL AND FLASHER LAMP	53779B	
		STOP TAIL AND FLASHER LAMP	53801A	
C88	5037274	Glass (Lens)—Flasher (Amber)	54570436	Series I, II and III Series I, II and III U.S.A. and Canada
		Glass (Lens)—Flasher (Red)	54570648	
C89	5037275	Glass (Lens)—Stop tail and reflector	54570437	Series I, II and III
C90	5037276	Gasket—Glass (Lens)	54570220	
	K.29815	Screw	198924	
C91	K.26796	Bulb—Flasher	L382	Up to B9111288 From B9111289 up to Series IV
	5037277	Bulb holder } Flasher	54570460	
C92	5040345	Bulb holder }	54573140	

ELECTRICAL EQUIPMENT

Plate Ref.	Part Number	DESCRIPTION	No. per Veh.	REMARKS
		STOP TAIL AND FLASHER LAMP—continued		
C93	K.26781	Bulb—Stop tail L380	2	Series I, II and III Up to B9111288
	5037278	Bulb holder } Stop 54570461	2	
C94	5040346	Bulb holder } tail 54573139	2	From B9111289 up to Series IV Denmark
	1046943	Bulb L396	2	Series I, II and III
C95	1201338	Gasket	2	
	9067008	Washer, $\frac{3}{16}$ " plain	4	
	9660121	Washer, $\frac{3}{16}$ " spring } Lamp to wing (fender)	4	
	9600521	Nut, 2 BA	4	
	9568030	Wing nut	4	
C96	1214233	STOP TAIL LAMP 53955	2	Series I and II Series III
C97	5039492	Glass (Lens) 54572774	2	
	5039495	s/d by 5040155 Screw—Full thread	4	Series II "Le-Mans"
C98	5040155	Screw—Shoulder length } Glass ... See Data 2F/41	4	
		thread ... (Lens) ... 54111111		
	5039496	s/d by 9122009 Washer ... } retaining	4	
C99	9122009	Washer	4	
C100	5039493	Gasket—Glass (Lens) 54572200	2	
C101	5039494	Gasket—Lamp seating 54572755	2	
C102	K.26781	Bulb, 12 volt, 21/6 watt L380	2	
C103	1214236	REAR REFLECTOR 57137	2	
C104	5040154	Reflector reflex 54572760	2	
	5039495	s/d by 5040155 Screw } Reflector 54110851	4	
C105	5040155	Screw 54111111	4	
C106	9122009	Washer }	4	
C107	5039493	Gasket—Reflector 54572200	2	
C108	5039494	Gasket—Reflector body 54572755	2	
C109	1214234	REAR FLASHER LAMP 52731	2	
		REAR FLASHER LAMP (U.S.A. and Canada) ... 53957A		
C110	5039497	Glass (Lens)—Amber 54572776	2	
		Glass (Lens)—Red (U.S.A. and Canada) ... 54572777		
	5039495	s/d by 5040155 Screw—Full thread	4	
C111	5040155	Screw—Shoulder length } Glass ... See Data 2F/41	4	
		thread ... (Lens) ... 54111111		
	5039496	s/d by 9122009 Washer ... } retaining	4	
C112	9122009	Washer	4	
C113	5039493	Gasket—Glass (Lens) 54572200	2	
C114	5039494	Gasket—Lamp seating 54572755	2	
C115	K.26796	Bulb, 12 volt, 21 watt L382	2	
	1223789	s/d by 1228521 STOP TAIL AND FLASHER LAMP—Type L654 54207A	2	Series IV and V
D116	1228521	STOP TAIL AND FLASHER LAMP ... 54252	2	
		STOP TAIL AND FLASHER LAMP ... 54208A		
D117	5037620	Lens—Stop tail 54570959	2	Series IV up to B395000207
D118	5037621	Lens—Flasher (Amber) 54570589	2	
		Lens—Flasher (Red) (U.S.A. and Canada) ... 54571036	2	
	K.29815	Screw, lens fixing 198924	8	
D119	5037622	Gasket, lens seating 54570590	2	
D120	5040346	Bulb holder—Stop tail 54573139	2	
D121	5040345	Bulb holder—Flasher 54573140	2	
D122	K.26781	Bulb, 12 volt, 21/6 watt—Stop tail L380	2	
D123	K.26796	Bulb, 12 volt, 21 watt—Flasher L382	2	
D124	5037625	Gasket, lamp seating 54570591	2	
	1046943	Bulb, 12 volt, 5 watt L396	2	Denmark only
	9568030	Wing nut—Stop tail and flasher lamp to wing (fender)	4	

ELECTRICAL EQUIPMENT

Plate Ref.	Part Number	DESCRIPTION	No. per Veh.	REMARKS	
		STOP TAIL AND FLASHER LAMP—Type L763 ... 54279	2	U.S.A. and Canada From B395000208	
		Lens (Glass)—Stop tail 54576067	2		
		Lens (Glass)—Flasher (Red) 54576065	2		
		Screw—Lens fixing 54110631	8		
		Gasket—Lens seating 54570590	2		
		Bulb holder—Stop tail 54570280	2		
		Bulb holder—Flasher 54570286	2		
		Bulb, 12 volt, 21/6 watt—Stop tail 380	2		
		Bulb, 12 volt, 21 watt—Flasher 382	2		
		Gasket—Lamp seating 54570591	2		
C125	P.44952	REAR NUMBER PLATE LAMP 53278	1	Up to B94101406 BU, B94600001 CKD	
C126	K.22773	Glass (Lens) 574046	1		
C127	K.22774	Clip 574045	1		
C128	K.22775	Seal 574044	1		
C129	5037599	Bulb, 12 volt, 6 watt L989	1		
	1228390 s/d by P.44952	REAR NUMBER PLATE LAMP 54235	1	RHD from B94101407 BU, B94600001 CKD up to intro 7105349	
	K.22773	Glass (Lens) 574046	1		
	K.22775	Seal 574044	1		
	5042322	Bulb, 12 volt, 5 watt 501	1		
	1228390 s/d by P.44952	REAR NUMBER PLATE LAMP L989	1	LHD from B94101407 BU, B94600001 CKD up to intro. 1205477	
	K.22773	Glass (Lens) 574046	1		
	K.22775	Seal 574044	1		
	5042322	Bulb, 12 volt, 5 watt 501	1		
C130	P.45670	REAR NUMBER PLATE LAMP 53518A	1	Series II "Le-Mans"	
C131	K.26168	Glass (Lens) 573915	1		
C132	K.26169	Cover 574825	1		
	P.42213	Screw } Cover 113061	2		
	9122009	Washer } fixing 161385	2		
C133	K.26170	Gasket—Glass (Lens) 573916	1		
C134	K.26172 s/d by 5042415	Grommet—Cable 574049	1		
	K.28405 s/d by 1800439	Sleeve—Terminal 555910	1		
C135	K.26171	Bulb holder 553780	1		
C136	K.26780	Bulb, 12 volt, 4 watt L222	1		
	5037599	Bulb, 12 volt, 6 watt (Alternative to K.26780) L989	1		
		REAR NUMBER PLATE LAMP 53894			Series IV U.S.A. and Canada up to intro. 1205477
		Rim 526496			
		Glass (Lens) 573615			
		Bulb, 12 volt, 6 watt L989			
	1205477	REAR NUMBER PLATE LAMP—Type L550 53894	2	LHD Series V up to intro. 7105349	
	5038898	Rim 526496	2		
	5030133 s/d by 5042418	Lens (Glass) 573615	2		
	K.26780	Bulb, 12 volt, 4 watt } Alternatives L222	2		
	5037599	Bulb, 12 volt, 6 watt } L989	2		
		Bulb, 12 volt, 4 watt 233	2	West Germany only—See Note	
		Note. Complete Lamp for West Germany. Use 1205477 and change bulb. Bulb only obtainable in West Germany.			

ELECTRICAL EQUIPMENT

Plate Ref.	Part Number	DESCRIPTION	No. per Veh.	REMARKS
C137	7105349	REAR NUMBER PLATE LAMP Note A. B395016692/3, B395016703/08/09, B395016711/2/14/17/19/20/22 to 29 inclusive/31/2/3/5/6/7, B395016739 to 43 inclusive, B395016745/6/7/9 to 53 inclusive, B395016755/6/8/60 to 67 inclusive, B395016769/72/73/77 then B395016779 onwards.	1	From See Note A
	1229312	Gasket—Rear number plate lamp to body	1	From B94100887 up to Note A
	39303081	Screw, No. 10 UNF. $\times \frac{1}{2}$ " ...	2	} Alternatives
	39313081	Screw, No. 10 UNF. $\times \frac{1}{2}$ " X recess	2	
	9660121	Washer, $\frac{3}{16}$ " spring ...	2	
	5220700	Nut, No. 10 UNF. ...	2	
	2231205	Bracket—Rear number plate lamp	1	}
	2236082	Bracket—Rear number plate lamp	1	
	9119612	Grommet—Rear number plate	1	} Up to intro. See Note A
	39303081	Screw, No. 10 UNF. $\times \frac{1}{2}$ " ...	2	
	39313081	Screw, No. 10 UNF. $\times \frac{1}{2}$ " X Recess	2	
	9660121	Washer, $\frac{3}{16}$ " spring ...	2	
	5220700	Nut, No. 10 UNF. ...	2	
		Bracket to body ...	2	
		REVERSE LAMP—Type L661 53862	2	} Alpine V U.S.A. and Canada Standard fitment From B395013542 up to intro. 1239563
		Glass (Lens) 54570778	2	
		Gasket—Lens seating 54571028	2	
		Body—Inner c/w bulb holder 54571287	2	
		Bulb 382	2	
		Gasket—Lamp seating 54573038	2	
	1239563	REVERSE LAMP	2	} Series V from B395013358 Soft Top, B395013399 G.T. and 1st Production Sunbeam 289 Mk. II
	5058921	Lens—Reverse lamp	2	
	K.26796	Bulb, 12 volt, 21 watt SCC	2	
	5058922	Setscrew—Lens fixing	2	
	1800253	Switch—Reverse light and overdrive	1	
	9071126	Washer—Switch	A/R	
C138	P.45149	INTERIOR ROOF LAMP	1	} Series II "Le-Mans"
C139	1217848	INTERIOR ROOF LAMP	1	
	K.25023	Plastic cover	1	Use with P.45149
	5040707	Plastic cover... ..	1	Use with 1217848
C140	K.26795	Bulb, 12 volt, 6 watt—Festoon L254	1	Series II "Le-Mans"
	9732085	Screw, No. 6 $\times \frac{1}{2}$ " Rsd. hd.—Lamp to body	2	
C141	1217862	INTERIOR ROOF LAMP	1	} G.T. Models
C142	5041080	Cover	1	
	K.26795	Bulb, 12 volt, 6 watt—Festoon L254	1	
	1217862	INTERIOR ROOF LAMP	1	} Series IV and V Soft Top Automatic from B94100487
	5041080	Cover	1	
	K.26795	Bulb, 12 volt, 6 watt—Festoon L254	1	
C143	1206115	MAP LIGHT	1	} Series II
C144	5039585	Lens c/w bezel	1	
C145	5039586	Base plate and bulb contact	1	
	K.26795	bulb, 12 volt, 6 watt—Festoon L254	1	

ELECTRICAL EQUIPMENT

Plate Ref.	Part Number	DESCRIPTION	No. per Veh.	REMARKS
C146	1206536	MAP LIGHT	1	} Series III onwards
C147	5041254	Base plate and switch	1	
C148	5041255	Lens	1	
	K.26795	Bulb, 12 volt, 6 watt—Festoon L254	1	
	9731126	Screw, No. 4 × 3/4" } Map light	2	} Series II and III
	9067000	Washer, 1/4" plain } fixing	2	
	9772126	Screw, No. 6 × 3/4" Pan hd.—Map light fixing	2	
		SWITCHES		
AB149	1046630	IGNITION AND STARTER SWITCH 31912	1	
AB150	P.45185	s/d by 5220790 Ignition lock barrel } F.P. series 625-750	1	
AB151	H.111745	Key	2	
	5240413	Ignition lock barrel } S.T. series 801-899	1	
	5240415	Key	2	
	5240380	Ignition lock barrel } R.M. series	1	See Data 2G/297
	5220397	s/d by 5220977 Key	2	
	5240380	Ignition lock barrel } See note	1	
	5220977	Key—Ignition } See note	2	
		Note. R.L. series, 801-815, 831-845, 861-875, 906-912, R.M. series 913-952		
A152	1046564	PANEL LIGHT SWITCH 31947A	1	Series I
	1046563	PANEL LIGHT AND MAP LIGHT SWITCH ... 31946A	1	Series II
B153	1206490	PANEL LIGHT SWITCH 34544	1	Series III and IV up to B94100000 BU, 94600000 CKD.
	1228982	PANEL LIGHT SWITCH 34943	1	Series IV from B94100001 BU, B94600001 CKD up to B395000000 BU, B395900000 CKD.
F154	1800381	PANEL LIGHT SWITCH—Type 65SA 34602	1	} From B395000001 BU, B395900001 CKD.
	1235818	Nut (Bezel)—Switch fixing 153601	1	
AB155	1046563	LIGHTING SWITCH—Standard transmission without Overdrive, and Automatic 31946	1	Series I, II, III and IV up to 1228981
	1228981	LIGHT SWITCH—Standard transmission without Overdrive, and Automatic 34982	1	Series IV from B94100001 BU, B94600001 CKD up to B395000000 BU, B395900000 CKD.
	1046563	LIGHTING SWITCH } 31946A	1	} Series I and II
	1219448	LIGHTING SWITCH } Standard transmission 34607A	1	
	1046563	LIGHTING SWITCH } with overdrive 31946A	1	
	1228981	LIGHTING SWITCH } 34942	1	Series IV from B94100001 BU, B94600001 CKD up to B395000000 BU, B395900000 CKD.
	1229413	LIGHTING SWITCH—Type 57SA 34946	1	} From B395000001 BU, B395900001 CKD.

ELECTRICAL EQUIPMENT

Plate Ref.	Part Number	DESCRIPTION	No. per Veh.	REMARKS
A156	1046564	SWITCHES—continued SCREEN WIPER SWITCH 31947A	1	Series I and II Series III and IV up to B941000000 BU, B94600000 CKD. B94600000 CKD. From B94100001 BU, B94600001 CKD up to B395000000 BU, B395900000 CKD. From B395000001 BU, B395900001 CKD. Up to intro. 1801573 Standard and Overdrive from B395017618 U.S.A. and Canada Series IV Automatic transmission up to intro. 1801574 Automatic from B395017618
B157	1056563	SCREEN WIPER SWITCH 31946A	1	
	1228981	SCREEN WIPER SWITCH 34942	1	
F158	1229413	SCREEN WIPER SWITCH—Type 57SA 34946	1	
	1046629	STARTER SOLENOID SWITCH 76465	1	
E159	1801573	STARTER SOLENOID SWITCH 76766	1	
	1046983	STARTER SOLENOID SWITCH—Type 2.ST... 76497A STARTER SOLENOID SWITCH 76453	1	
	1801574	STARTER SOLENOID SWITCH 76776	1	
E160	5037288 s/d by 9227121	Lucar connector, 12 amp } 54190015	1	
	9227121	Lucar connector, 12 amp }	1	
	5037286 s/d by 9227105	Lucar connector, 12 amp } Starter 54190013	1	
	9227105	Lucar connector, 12 amp } solenoid	1	
E161	5037287 s/d by 9227106	Lucar connector, 35 amp } 54190014	1	
	9227106	Lucar connector, 15 amp }	1	
	39303120 s/d by 39313121	Screw, No. 10 UNF. × ¾" }	2	
	19503041	Screw, No. 10 UNF. × ½" }	2	
	9660121	Washer, ⅜" plain } Starter switch fixing	2	
	9088170	Distance piece ... }	2	
E162	P.40777	Terminal cap ... } 858266	1	
	1046988	STOP LIGHT SWITCH 31882	1	
	1800298 s/d by 1800399	STOP LIGHT SWITCH 34446A	1	
E163	1800399	STOP LIGHT SWITCH 34619	1	
	9077017	Gasket switch	1	
E164	1046553	FOOT DIPPER SWITCH 31800	1	
E165	1800390	FOOT DIPPER SWITCH 73758	1	
	39033060 s/d by 39033061	Screw, 2 BA × ⅜"	2	
	39203160	Screw, No. 10 × 1"	2	
	39303080 s/d by 39313081	Screw, No. 10 × ½"	2	
	39313081	Screw, No. 10 UNF. × ½" "X" recess } Switch to platform	2	
	9663122 s/d by 9663123	Washer, ⅜" shakeproof	2	
E166	1046646	Rubber cover } Foot dipper 54331425	1	
E167	1800391	Rubber cover } switch	1	
	2201116	Platform—R.H.D. } Foot	1	
	2201388	Platform—L.H.D. } dipper switch	1	
	9733086 s/d by 9773086	Screw, No. 4 × ⅜"—Platform to floor	5	
A168	1046618	FLASHER SWITCH 31889A	1	
	1201663	FLASHER SWITCH—Type 37SA 34332	1	
	1206282 s/d by 1223742	FLASHER SWITCH	1	
B169	1223742 s/d by 1235200	DIRECTION INDICATOR AND HEADLAMP FLASHER SWITCH 34719A	1	
	5042175	Contact assembly 54337314	1	

ELECTRICAL EQUIPMENT

Plate Ref.	Part Number	DESCRIPTION	No. per Veh.	REMARKS
F170	1235200	DIRECTION INDICATOR AND HEADLAMP FLASHER SWITCH 34981	1	
F171	5042175	Contact Assembly 54337314	1	
A172	1200199	s/d by 1228256 Striker ring	1	Series I and II
	39303081	s/d by 39313081 Screw, No. 10 UNF. × ½"—R.H. } Striker ring	1	Series I and II
	9660121	Washer, ⅜" spring } to	1	
	5220700	Nut, No. 10 UNF. } steering column	1	
A173	1046643	OVERDRIVE SWITCH 31925	1	Series I
	1201686	OVERDRIVE SWITCH—R.H.D.	1	Series II
	1201687	OVERDRIVE SWITCH—L.H.D. } Steering column	1	
	1206496	s/d by 1235203 OVERDRIVE SWITCH—R.H.D.	1	
	1206497	s/d by 1235202 OVERDRIVE SWITCH—L.H.D.	1	
F174	1235203	OVERDRIVE SWITCH—R.H.D.	1	Series III onwards
	1235202	OVERDRIVE SWITCH—L.H.D.	1	
F175	1206494	Clamping plate—Overdrive switch	1	Series III onwards
	1046648	s/d by 1800253 OVERDRIVE SWITCH } Gearbox 31849A	1	
E176	1800253	OVERDRIVE SWITCH } 34460A	1	
E177	P.112542	s/d by 9071126 Washer—Switch	A/R	
	5030775	s/d by 5039747 SOLENOID SWITCH } Overdrive 76516	1	Up to B9200243
E178	5039747	SOLENOID SWITCH } unit 76522E	1	From B9200244
E179	P.45208	COURTESY LIGHT SWITCH S34122	2	G.T. Models and Series II "Le-Mans"
	P.45208	COURTESY LIGHT SWITCH S34122	2	Series IV Soft Top Automatic from B94100487
	2220939	HORN SWITCH	1	No longer available
		INHIBITOR SWITCH—Automatic		See Automatic Gearbox Section
STARTER MOTOR				
Note. A replacement starter motor is obtainable from Messrs. J. Lucas Ltd. in part exchange for the original.				
	P.44447	STARTER MOTOR 25022M	1	Series I
E180	1800274	STARTER MOTOR 25085	1	Series II onwards
E181	K.20251	Brush set 251108	1	
E182	5038067	Brush spring set 251942	1	
	7080043	Bush, commutator bracket 251477	1	
	7080044	Bush, driving end bracket 253316	1	
E183	K.20255	Main spring 250404	1	
E184	5039533	Pinion and barrel assembly 54252212	1	
E185	5039534	Sleeve, screwed 250696	1	
	5043857	Buffer washer 291970	1	
E186	K.15494	Nut, armature shaft end 250889	1	Series I
	5043855	Cup shaft } Armature 54251920	1	Series II onwards
	5043856	Jump ring } shaft 54251921	1	
	7080045	Thrust washer—D.E. bracket 158550	1	
Starter motor fixings—See Engine (Motor) Auxiliaries				
Starter solenoid—See switches.				

ELECTRICAL EQUIPMENT

Plate Ref.	Part Number	DESCRIPTION	No. per Veh.	REMARKS	
DYNAMO (Generator)					
Note. A replacement Dynamo (Generator) is obtainable from Messrs. J. Lucas Ltd. in part exchange for the original.					
E187	1046668	DYNAMO (Generator) 22700B	1	Fitted up to B39500000 BU, B395900000 CKD.	
E188	5037543	Brush set 54213117	1		
E189	5037544	Brush spring set 227542	1		
	P.43050	Bearing } D.E. bracket 189307	1		
	9188002	Bearing } 189307	1		
	5059371	Bearing bush } C.E. 227818	1		
	5039250	Oiler } bracket 54211097	1		
	5030868	Nut, $\frac{7}{16}$ " UNF., lock } Armature 198800	1		
	9213004	Key ... } shaft 189340	1		
ALTERNATOR					
Note. A replacement Alternator less Fan (Lucas Part No. 23528) is available from Messrs. Joseph Lucas Ltd., in part exchange for the original unit—Home Models only.					
F190	1235628	ALTERNATOR c/w FAN 54021127	1	Negative Earth System	
F191	5044349	Thru bolt—Special 54112056	3		
F192	5030868	Nut—Rotor shaft 198800	1		
	9188002	Bearing—D.E. bracket 189307	1		
	5043509	Circlip—Bearing 54150294	1		
	5043510	"O" ring (Oil seal) bearing 54214812	1		
F193		Bearing—Bracket slip ring end	1		Not supplied
F194	5043626	Brush box—Bakelite 54217505	1		
F195	5043511	Brush—Spring and Lucar 54215076	2		
F196	9227111	Lucar connector—Cut-out 54190096	1		
	1800892	Fan 54216148	1		
Note. A replacement Control Box is available from Messrs. Joseph Lucas Ltd. in part exchange for the original unit					
F197	(1800744)	CONTROL BOX—TYPE 4TR 37423	1	Models with Alternator not supplied	
	9773126	Screw, No. 8 bdg. hd. $\times \frac{1}{4}$ " "X" recess	2		
	39313081	Screw, No. 10 UNF. $\times \frac{1}{2}$ " "X" recess—Earth	1		
	9020246	Spirenut	1		
F198	1800746	FIELD ISOLATING RELAY—TYPE 6RA 33252	1	Models with Alternator	
	9773086	Screw, No. 8 bdg. hd. $\times \frac{1}{4}$ " "X" recess	2		
	9068010	Washer, $\frac{1}{4}$ " plain	2		
	9663122	Washer, $\frac{1}{4}$ " shakeproof	2		
F199	1800745	WARNING LIGHT SIMULATOR 38706	1	Models with alternator	
	9773086	Screw, No. 8 bdg. hd. $\times \frac{3}{8}$ " "X" recess	1		
	9068010	Washer, $\frac{1}{4}$ " plain	1		
	9663122	Washer, $\frac{1}{4}$ " shakeproof	1		

ELECTRICAL EQUIPMENT

Plate Ref.	Part Number	DESCRIPTION	No. per Veh.	REMARKS	
		IGNITION			
		Note. A replacement Distributor is obtainable from Messrs. J. Lucas Ltd. in part exchange for the original.			
E200	1202705 s/d by 5057780	DISTRIBUTOR (Horizontal outlet) 40683	1	} Up to B9200719 Series II "Le-Mans"	
	1214395 s/d by 5057780	DISTRIBUTOR (Vertical outlet) 40766A	1		
	1216047	DISTRIBUTOR 40837	1		
	K.23440 s/d by 5040629	Top cover } (Horizontal 418871	1		
	5040629	Top cover } outlet) 54412486	1		
	K.28837 s/d by 5040360	Top cover (Vertical outlet) 418865	1		
	5220172	Nut, moulded 410600	5		
	K.22438	Carbon brush and spring 418856	1		
	K.24988	Rotor arm 400051	1		
	K.25986	Contact set 423153	1		
	K.25987	Condenser 423871	1		
	5037545	Vacuum unit 54411463	1		
	5037524	Cover clip 421824	2		
	P.107014	Pinion	1		
	9840000	Pin, 1" x 3/8"—Pinion to shaft	1		
E201 E202	1215507 s/d by 5057780	DISTRIBUTOR 40799	1	} See Data 2F/52	
	5057780	DISTRIBUTOR 41023	1		
	5040360	Top cover 54414513	1		
	5220172	Nut, moulded 410600	5		
	K.22438	Carbon brush and spring 418856	1		
	K.24988	Rotor arm 400051	1		
	K.25986	Contact set 423153	1		
	K.25987	Condenser 423871	1		
	5037545	Vacuum unit 54411463	1		
	5037524	Cover clip 421824	2		
	5040609	Terminal bush and lead 54413549	1		
	K.25506	Clamping plate 421191	1		
	P.107014	Pinion	1		
	9840000	Pin, 1" x 3/8"—Pinion to shaft	1		
	E203	1218166	DISTRIBUTOR 40924A		1
5040360		Top cover 54414513	1		
5220172		Nut, moulded 410600	5		
K.22438		Carbon brush and spring 418856	1		
K.24988		Rotor arm 400051	1		
K.25986		Contact set 423153	1		
K.25987		Condenser 423871	1		
5042065		Vacuum unit 54414923	1		
5037524		Cover clip 421824	2		
5040609		Terminal bush and lead 54413549	1		
K.25506		Clamping plate 421191	1		
P.107014		Pinion	1		
9840000		Pin, 1" x 3/8"	1		
1223703		DISTRIBUTOR—TYPE 25D4 40942	1	} Series IV up to B94102677	
1229679		DISTRIBUTOR—TYPE 25D4 41044	1		} From B94102678 up to B395000000 BU B395900000 CKD.

ELECTRICAL EQUIPMENT

Plate Ref.	Part Number	DESCRIPTION	No. per Veh.	REMARKS
		IGNITION—continued		
		DISTRIBUTOR—continued		
E204	5040360	Cover, moulded	54414513	1
E205	5220172	Nut, moulded	410600	5
E206	K.22438	Brush and spring	418856	1
				} For Distributor 1223703
	5043709	Cover, moulded (Push-in type)	54417214	1
	K.22438	Brush and spring	418856	1
E207	K.24988	Rotor arm	400051	1
E208	K.25986	Contact set	423153	1
E209	K.25987	Condenser	423871	1
E210	5042065	Vacuum unit	54414923	1
E211	5037524	Cover clip	421824	2
E212	5040609	Terminal bush and lead	54413549	1
E213	K.25506	Clamping plate (2 hole fixing)	421191	1
	5043708	Clamping plate (1 hole fixing)	420151	1
				} Check type required
	1235133	DISTRIBUTOR—TYPE 25D4	41077	1
	5043709	Cover, moulded (Push-in type)	54417214	1
	K.22438	Brush and spring	418856	1
	K.24988	Rotor arm	400051	1
	K.25986	Contact set	423153	1
	K.25987	Condenser	423871	1
	5042065	Vacuum unit	54414923	1
	5037524	Cover, clip	421824	2
	5040609	Terminal bush and lead	54413549	1
	5043708	Clamping plate	420151	1
	5037985	Driving dog	420620	1
	9119506	Cover—Distributor terminal		1
	1218625	Distributor shroud		2
	1218626	Top—Distributor shroud		1
	19603031	Bolt, No. 10 UNC. × 3/8" } Shroud } Fitted to distributor		2
	9067094	Washer, 1/8" plain ... } } with 2 hole fixing clamp		2
				} Series III from B9205658 and Series IV up to B94102677 France only
	1218625	Shroud—Distributor		1
	1218626	Top—Shroud		1
	1235940	Stud ... } Shroud to tappet cover ... } Fitted to Distributor		1
	9067014	Washer ... } } with one hole fixing clamp		2
	9510040	Nut ... } Distributor ... } clamp		1
	9510040	Nut } }		1
	9067014	Washer } shroud ... }		1
		Distributor fixings—See engine auxiliaries Section.		
E214	5030856	IGNITION COIL	45075	1
E215	K.12519	s/d by 9227201 Nut, moulded	408120	1
E216	P.44927	Spring washer	185015	1
		IGNITION COIL—TYPE BA7 } U.S.A. and	45139A	
		Ballast resistor—Type BR2 } Canada	47170A	
	9119506	Cover coil terminal	460057	1
	5037291	s/d by 9227111 Lucar connector, 12 amp } Ignition	54190096	2
E217	9227111	Lucar connector, 12 amp } coil	54190096	2
				} Up to B94102677
F218	1800915	s/d by 1801188 IGNITION COIL (PUSH-IN CABLE)	45178	1
		Ignition coil ... } U.S.A. and	45180	1
		Ballast resistor—Type BR2 } Canada	47170A	1
				} From B94102678

ELECTRICAL EQUIPMENT

Plate Ref.	Part Number	DESCRIPTION	No. per Veh.	REMARKS
		IGNITION—continued		
P.56184	s/d by 9227015	SPARKING PLUG	4	
9227024	SPARKING PLUG	4	
9227046	s/d by 9227015	SPARKING PLUG (Set of 4)	1	{ Up to B395000000 BU, B395900000 CKD
9227025	SPARKING PLUG	4	{ From B395000001 BU, B395900001 CKD
P.41121	s/d by 9077608	Washer }	4	
9077608	Washer } Sparking plug	4	
P.42712	Terminal }	4	
P.107030	s/d by 9119540	Cover } Sparking	4	
9119540	Cover } plug	4	
P.100892	High tension cable }	A/R	U.S.A. and Canada
1214684	s/d by 1228570	High tension cable }	1	Series I and II
1223564	s/d by 1228570	High tension cable }	1	Series III up to B9205325
		Coil to } distributor	1	From B9205326 and
1228570	High tension cable }	1	Series IV upto B94100630
		High tension cable }	1	From B94100631 up to
5220943	High tension cable }	1	B94102677
1224172	High tension cable } 54933785	1	From B94102678
		High tension cable—Coil to distributor	1	Series III from B9205658
1235939	High tension cable—Coil to distributor	1	and Series IV France only
P.100892	High tension cable—Distributor to sparking plugs	A/R	up to B94102677
1218400	s/d by 1228571	High tension cable No. 1 } Distributor 54949208	1	France only
1218401	s/d by 1228572	High tension cable No. 2 } to sparking plugs 54949209	1	Up to 1218400—3
1218402	s/d by 1228573	High tension cable No. 3 } c/w acorn 54949210	1	{ For use with Vertical outlet
1218403	s/d by 1228574	High tension cable No. 4 } nut 54949211	1	{ distributor top covers up to
		High tension cable No. 1 }	1	{ B94100630
1228571	High tension cable No. 2 }	1	{ From B94100631
1228572	High tension cable No. 3 }	1	{ up to B94102677
1228573	High tension cable No. 4 }	1	
1228574	High tension cable No. 4 }	1	
5220937	High tension cable No. 1 }	1	
5220938	High tension cable No. 2 }	1	{ From
5220939	s/d by 5220940	High tension cable No. 3 }	1	{ B94102678
5220940	High tension cable No. 4 } Distributor	1	
		to } sparking plugs 54933651	1	
1224173	High tension cable No. 1 } 54933648	1	{ Series III from B9205658
1224174	High tension cable No. 2 } 54933645	1	{ and Series IV France only
1224175	High tension cable No. 3 } 54933646	1	{ up to B94102677
1224176	High tension cable No. 4 } 54933646	1	
1235099	High tension cable No. 1 }	1	
1235100	High tension cable No. 2 }	1	{ From B94102678
1235101	High tension cable No. 3 }	1	{ France only
1235102	High tension cable No. 4 }	1	
P.44691	BATTERY, 38 Amp/hour 4018707	1	
1046681	s/d by P.44399	BATTERY, 44 Amp/hour	1	
P.44399	BATTERY, 51 Amp/hour 4018757	1	Series I and II U.S.A. and
				Canada

ELECTRICAL EQUIPMENT

Plate Ref.	Part Number	DESCRIPTION	No. per Veh.	REMARKS
		IGNITION—continued		
		BATTERY, 57 Amp/hour (Not supplied)		Series III, IV and V U.S.A. and Canada
	P.42910 s/d by 9056027	Screw } Battery 186111	2	
	9056027	Screw } lug	2	
	19506041 s/d by 19506042	Screw, $\frac{3}{8}$ " UNF. \times $\frac{1}{2}$ " }	1	
	9664242	Washer, $\frac{3}{8}$ " shakeproof } Battery earth	1	
	5220703	Nut, $\frac{3}{8}$ " UNF. ... }	1	
		BATTERY CRADLE AND FITTINGS		See Body fittings
		CONTROL BOX		
		Note. A replacement Control Box is obtainable from Messrs. J. Lucas Ltd. in part exchange for the original.		
E219	1046669	CONTROL BOX—RB106/2 37290		Series I, II and III See note *
E220	K.14116	Resistance, 63 ohms (Barrel type) 334977	1	
	5037501	Resistance, 63 ohms (Flexible type) 54380858	1	
E221	K.21773	Cover 391600	1	
E222	K.19286	Clip—Cover 334906	1	
	39403200 s/d by 39413201	Screw, No. 10 UNF. \times $1\frac{1}{4}$ " }	2	
	39303060 s/d by 39313061	Screw, No. 10 UNF. \times $\frac{3}{8}$ " } Control box	1	
	39313061	Screw, No. 10 UNF. \times $\frac{3}{8}$ " } to dash	1	
	9663121	Washer, No. 10 shakeproof }	1	
	5220690	Bolt, $\frac{1}{4}$ " UNF. \times $\frac{1}{2}$ " } Control box cable	1	
	9660161 s/d by 9660163	Washer, spring... } to earth	1	
		* Note. The Control Box RB106/2 must only be used with (Positive Earth) Dynamo (Generator) part number 1046668.		
	(1800231)	CONTROL BOX—RB340 37344 (Not supplied)		
	5038918 s/d by 5044134	Cover, moulded 54381342	1	
	5040241	Resistance—60 ohms (Field) 54380084	1	
	5038920	Resistance—55 ohms (Swamp) 54380438	1	
	39413201	Screw, No. 10 UNF. \times $1\frac{1}{4}$ " } Alternatives	3	
	49353202	Screw, No. 10 UNF. \times $1\frac{1}{4}$ " }	3	
	39303060 s/d by 39313061	Screw, No. 10 UNF. \times $\frac{3}{8}$ " } Control	1	
	39313061	Screw, No. 10 UNF. \times $\frac{3}{8}$ " } box fixing	1	
	9663121	Washer, No. 10 shakeproof	1	
	9034124	Nut, No. 10 UNF.	1	
		* Note. The Control Box RB340 must only be used with (Positive Earth) Dynamo (Generator) part number 1046668.		
	1046632 s/d by 1800082	FUSE UNIT 033282	1	Box of 10 Alternatives
E223	1800082	FUSE UNIT 54038032	1	
	5037982	Cover 54380114	1	
E224	K.7961	Fuse—35 amps. 188218	A/R	
	9732084 s/d by 9772086	Screw, No. 6 \times $\frac{1}{2}$ "	1	
	39403100	Screw, No. 10 UNF. \times $\frac{5}{8}$ " } Fuse	1	
	9772086	Screw, No. 6 \times $\frac{1}{2}$ " "X" recess } Unit	1	
	9774086	Screw, No. 10 UNF. \times $\frac{5}{8}$ " "X" recess }	1	

ELECTRICAL EQUIPMENT

Plate Ref.	Part Number	DESCRIPTION	No. per Veh.	REMARKS
		SCREEN (Windshield) WIPER		
		Note. A replacement Wiper Motor is obtainable from Messrs. J. Lucas Ltd. in part exchange for the original.		
AB225		MOTOR UNIT—R.H.D. } TYPE 75392	1	Series I— Not supplied Series II—Not supplied Series III and IV, Alpine "260" and up to B382000247
		MOTOR UNIT—L.H.D. } DR3A 75393	1	
		MOTOR UNIT—TYPE DR3A 75442	1	
		MOTOR UNIT—TYPE DR3A (Not supplied) 75462	1	
		MOTOR UNIT—TYPE 6WA (Not supplied) 75552	1	
	K.28491	Brush set 729367	1	Series V— and Alpine "260" from B392000248
	7080062	Brush spring 735631	1	
AB226	K.26655	Parking limit switch 743846	1	Series I
	5041121	Parking limit switch 54712982	1	Series II, III, IV and V
AB227	5038897	Inner cable (Crosshead and rack) 744254	1	Series I and II—Cut to suit
	5042945	Inner cable (Crosshead and rack) 743221	1	Series III onwards—Cut to suit
	1046647	Wheel box 72732A	1	Up to intro. 1219552 and 1206480
	1206200 s/d by 1219552	Wheel box } Driver's 72750	1	Series II from B9104616 R.H.D. B9108012 L.H.D. and B9104783 USA & Canada
A228	1219552	Wheel box } 75782	1	
A229	1206480 s/d by 1219553	Wheel box—Passenger's 72764A	1	
B230	1219552	Wheelbox—Driver's 75782	1	Series III, IV, V and Alpine "260" up to intro. 1235738
B231	1219553	Wheelbox—Passenger's 72775	1	
AB232	5037519	Bush—Spindle—Outer 740880	2	Series V from B395001748 R.H.D., B395002314 L.H.D., B382000248 Alpine "260"
	5037520	Rubber washer—Bush 740882	2	
	5042613	Nut—Wheelbox fixing 54130691	1	
	1235738	Wheelbox 72809	2	
	5037519	Bush—Spindle—Outer 740880	2	
AB233	5044714	Rubber washer—Bush—Rear 54719040	2	
	5042613	Nut—Wheelbox fixing 54130691	2	
	5037280 s/d by 5038341	Arm—R.H.D. 744140	2	
	5037281 s/d by 5038340	Arm—L.H.D. 744139	2	
A234	5038341	Arm—R.H.D. 54710009	2	
	5038340	Arm—L.H.D. 54710008	2	
A235	5037521	Blade 54711281	2	Series I and II
A236	5037606	Rubber and spring 54711743	2	
	K.29844 s/d by 5220189	Retaining cap 737916	2	
A237	5220189	Retaining cap 737916	2	
B238	5041216	Arm—R.H.D. 54712035	2	Series III, IV and V
	5041215	Arm—L.H.D. 54712034	2	
B239	5041217	Blade 54712818	2	
B240	5043741	Rubber 54716221	2	

ELECTRICAL EQUIPMENT

Plate Ref.	Part Number	DESCRIPTION	No. per Veh.	REMARKS
		SCREEN WIPER—continued		
	5041216	Arm—R.H.D. 54712035	2	} USA/Canada only Series III IV & V up to B395013609
	5041215	Arm—L.H.D. 54712034	2	
	5041217	Blade 54712818	2	
	5043741	Rubber 54716221	2	
		Arm 54715791	2	} USA/Canada from B395013610
		Blade 54701064	2	
		Rubber 54716221	2	
A241	2201789	Tube—R.H.D. 54711648	1	} Series I and II
	2201248	Tube—L.H.D. 54710952	1	
B242	1219554	Tube—R.H.D. 54714914	1	} Series III, IV & V up to B395001747 R.H.D., B395002313 L.H.D., B382000247 Alpine "260"
	1219555	Tube—L.H.D. } Motor to 54714915	1	
		Wheelbox		
	1236364	Tube—R.H.D. 54719207	1	} Series V from B395001748 R.H.D., B395002314 L.H.D., B382000248 Alpine "260"
	1235479	Tube—L.H.D. 54719174	1	
A243	2201758	Tube } Wheelbox to 54711649	1	} Series I and II
B244	1219556	Tube } wheelbox 54714964	1	
	2201225	s/d by 1044930 Extension tube... .. 54711157	1	} Series III, IV and V
AB245	1044930	Extension tube 740746	1	
AB246	9116104	s/d by 9116014 Grommet—Screen wiper tube	1	} Series I and II
A247	2201211	Bracket } Screen wiper	1	
B248	2218358	Bracket } motor	1	} Series III, IV and V up to intro. 2235390
	2235390	Bracket—Screen wiper motor	1	
	2235391	Carrier—Bracket	1	} Series V from B395001748 R.H.D., B395002314 L.H.D., B382000248 Alpine "260"
	5220690	Screw, ¼" UNF' × ½" }	3	
	9067015	Washer, ¼" plain } Bracket to body	3	
	9664162	s/d by 9664163 Washer, ¼" shakeproof }	3	
	9067016	s/d by 9067015 Washer, ¼" plain ... } Wiper carrier	2	} Series V from B395001748 R.H.D., B395002314 L.H.D., B382000248 Alpine "260"
	9664162	s/d by 9664163 Washer, ¼" shakeproof } bracket to	2	
	9510040	Nut, ¼" UNF. ... } mounting bracket	2	
		FLASHER SYSTEM		
E249	P.45492	s/d by 1046994 FLASHER UNIT 35011	1	} West Germany only
	1046994	FLASHER UNIT—TYPE FL5 (42 watts) 35020	1	
	1801169	FLASHER UNIT—TYPE FL5 (18 watts) 35040	1	} Series I and II
	9732166	s/d by 9732183 Screw, No. 6 × 1"—Flasher unit to body	1	
	9732183	Screw, No. 6 × 1½" } Flasher	1	} Series III and IV up to B94100190
	9020036	Spire nut, No. 6 J. }	1	
	39611161	Screw, No. 6 UNC. × 1" }	1	} From B94100191
	9663092	Washer, No. 6 shakeproof } Flasher unit to body	1	
	9550011	Nut, No. 6 UNC. ... }	1	

ELECTRICAL EQUIPMENT

Plate Ref.	Part Number	DESCRIPTION	No. per Veh.	REMARKS		
OVERDRIVE SYSTEM						
E250	1046644 s/d by 5038172	RELAY UNIT 33213A	1	Series I and II Series III onwards Up to B9200180 From B9200181		
	1800385	RELAY UNIT 33199E	1			
	39303080 s/d by 39313081	Screw, No. 10 UNF. $\times \frac{1}{2}$ " } Relay	2			
	9660121	Washer, No. 10 spring } unit	2			
	9733086 s/d by 9773086	Tapping screw, No. 8 $\times \frac{1}{2}$ " Bdg. } Relay unit	2			
	9663122 s/d by 9663123	Washer, $\frac{3}{16}$ " shakeproof ... } to bulkhead	2			
		Overdrive switch—See Switches.				
	HORNS AND CONTROLS					
	P.45202	HORN (Type WT618)—Low Note 69046	1		Up to B9001002	
	P.45203	HORN (Type WT618)—High Note 69047	1			
1046964 s/d by 1800587	HORN (Type 725L)—Low Note (Clear Hooter)	1	From B9001003 up to Series III			
1046963 s/d by 1800588	HORN (Type 725H)—High Note (Clear Hooter)	1				
1800587	HORN—Low Note (Clear Hooter)	1	Series III onwards			
1800588	HORN—High Note (Clear Hooter)	1				
1800262	HORN—Low Note (Clear Hooter) CT750/S/L	1	Sweden only France only from B395015244			
1800261	HORN—High Note (Clear Hooter) CT750/S/H	1				
1239238	HORN—Low Note	1				
5220693	Screw, $\frac{1}{4}$ " UNF. $\times \frac{11}{8}$ " }	4	Up to B9100235			
1201550	Distance piece	4				
19504051 s/d by 19504052	Screw, $\frac{1}{4}$ " UNF. $\times \frac{5}{8}$ " } Horn fixing	4	From B9100236 Series II "Le-Mans" * See note			
9660161 s/d by 9660163	Washer, $\frac{1}{4}$ " spring	4				
2239079	Bracket—Horn mounting	1				
5040221	Bracket—Horn support	1				
2225751	Bracket—L.H. Horn	1				
19504051 s/d by 19504052	Bolt, $\frac{1}{4}$ " UNF. $\times \frac{5}{8}$ " } Horn to	2				
9660161 s/d by 9660163	Washer, $\frac{1}{4}$ " spring } bracket	2				
9510040	Nut, $\frac{1}{4}$ " UNF.	2				
* Note. From B9204718 Soft Top, B9203887 G.T., B9250157 CKD South Africa up to B94100000 BU, B94600000 CKD. For models fitted with Micro element Air cleaner only.						
E251	1046633	RELAY UNIT—Horn 33209A		1	Early cars only	
	39303080 s/d by 39313081	Screw, No. 10 UNF. $\times \frac{1}{2}$ " } Relay	2			
	9660121	Washer, $\frac{3}{16}$ " spring } unit	2			
STEERING CONTROL COMPLETE (Horns)—TYPE CC2 33544 (Not supplied)						
A252	5037463	Cover and motif 54300353	1	Series I and II except "Le-Mans"		
A253	5037464	Horn ring 54300226	1			
A254	K.25948	Contact plate—Top 331755	1			
A255	K.25949	Contact plate—Bottom 331712	1			
	5030142	Spring 331553	3			
	5039976 s/d by 5044324	Nut 169524	3			
	K.25951	Sundry parts set 324965	1			

ELECTRICAL EQUIPMENT

Plate Ref.	Part Number	DESCRIPTION	No. per Veh.	REMARKS
		HORNS AND CONTROLS—continued		
		STEERING CONTROL COMPLETE (Horns) ... 54030006A	1	{ Series III and IV up to B94100000 } } Not supplied
		STEERING CONTROL COMPLETE (Horns) ... 54030006D	1	
		Motif... .. 54300291	1	{ Series IV from B94100001 onwards } } See Steering and Controls See page RA2
		Clip 54150031	3	
		Adjuster nut	1	
		Nut—Column extension	1	
		Screw, $\frac{5}{16}$ " UNF. \times $\frac{3}{8}$ " } Adjuster nut to	1	
		Washer, $\frac{5}{16}$ " plain ... } column extension nut... ..	1	
B256	5041256	HORN RING AND CONTACT 54300816	1	
	1206380 s/d by 1228510	Contact plate and striker	1	
	1223764 s/d by 1228510	Contact plate and striker	1	
B257	1228510	CONTACT PLATE AND STRIKER 54300947	1	
		Insulating washer	1	} Not supplied
		Striker—Flasher switch	1	
	1206431	Spring—Earth return 54300933	1	} Up to B941000000 BU, B946000000 CKD. } From B941000001 BU, B94600001 CKD.
	5041258	Retaining plate 54300819	1	
	5041257	Bush 54300413	3	
AB258	5030142	Spring 333153	3	
	5039976 s/d by 5044324	Nut, Special 169294	3	
	P.101404 s/d by 9059027	Screw } Horn ring to	3	
	9059023 s/d by 9059027	Screw } hand wheel	3	
	39413181	Screw, No. 10 \times $1\frac{1}{8}$ " "X" Recess } Horn ring to	3	
	9660123	Washer, No. 10 spring ... } hand wheel	3	
		CABLES, GROMMETS, CONNECTORS AND CLIPS		
	1201346 s/d by 1201612	CHASSIS HARNESS 54942041	1	} Up to B9010435 } No longer available } Series II up to B9105974 } From B9105975 up to Series III
	1201612	CHASSIS HARNESS	1	
	1201652	CHASSIS HARNESS	1	
	1206111 s/d by 1216739	CHASSIS HARNESS	1	
	1216739	CHASSIS HARNESS	1	
A259	5037421	Bulb holder—Flasher and ignition 863511	3	} Series I and II
	5037422	Bulb holder—Main beam 554734	1	
	K.21116 s/d by K.26785	Bulb	4	} Series I and II } Series III up to 1223642 } Series III from B9204718 } Soft Top, B9203887 G.T., B9250157 CKD S/Africa up to Series IV } Series III up to 1223643 } Series III from B9204718 } Soft Top, B9203887 G.T., B9250157 CKD S/Africa up to B9204761 } Series III from B9204762 up to Series IV
A260	K.26785	Bulb, 12 volt, 2-2 watt L987	4	
	1218100 s/d by 1223642	CHASSIS HARNESS—R.H.D.	1	
	1223642	CHASSIS HARNESS—R.H.D.	1	
	1218101 s/d by 1223643	CHASSIS HARNESS—L.H.D.	1	
	1223643	CHASSIS HARNESS—L.H.D.	1	
	1224155	CHASSIS HARNESS—L.H.D.	1	

ELECTRICAL EQUIPMENT

Plate Ref.	Part Number	DESCRIPTION	No. per Veh.	REMARKS
		CABLES, Etc.—continued		
	1224380 s/d by 1228638	CHASSIS HARNESS—R.H.D. 54935253	1	} Series IV up to B9400589 Soft Top, B9400878 G.T.
	1224381 s/d by 1228639	CHASSIS HARNESS—L.H.D. 54935254	1	
	1228638	CHASSIS HARNESS—R.H.D.	1	} From B9400590 Soft Top, B9400879 G.T.
	1228639	CHASSIS HARNESS—L.H.D.	1	
B261	5220069	Bulb holder ... } Warning 79/820	3	} Series III and IV
B262	K.26644	Bulb, 12 volt, 2 watt } lights L281	3	
	1235794	CHASSIS HARNESS—R.H.D.	1	} Series V up to B395015060
	1235795	CHASSIS HARNESS—L.H.D.	1	
	1238990	CHASSIS HARNESS—R.H.D.	1	} From B395015061 up to intro. 1239752/3
	1238991	CHASSIS HARNESS—L.H.D.	1	
	1239752	CHASSIS HARNESS—R.H.D.	1	} From B395013358 Soft Top B395013399 G.T.
	1239753	CHASSIS HARNESS—L.H.D.	1	
	5220069	Bulb holder ... } Warning 79/820	3	} Series V—Negative Earth
	K.26644	Bulb, 12 volt, 2 watt } lights L281	3	
	1235806	Alternator harness	1	} Series I and II
	1201347	BODY HARNESS	1	
	1206411	BODY HARNESS 54949983	1	Series III onwards up to intro. 1239754
	1239754	BODY HARNESS	1	From B395013358 Soft Top B395013399 G.T.
	1206326	Cable }	1	} Series I and II
	1206420 s/d by 1224355	Cable } Battery negative 54949981	1	
	1224355	Cable } to solenoid switch	1	Series III and IV up to 1224355
	1046640	Cable } Battery positive 812212	1	} Series IV from B9400357 Soft Top, B9400600 G.T. up to Series V
	1206421	Cable } to earth 812210	1	
	1235641	Cable—Battery Negative to earth	1	} Series I & II } Positive Series III & IV } Earth
	1235640	Cable—Battery Positive to Solenoid	1	
	1046939	Cable—Solenoid to Starter Motor	1	} Series V (Negative Earth)
	1046642	Cable—Engine to earth	1	Series IV and V
		GROMMETS		
	9118529	Grommet—Speedo and Rev. counter cables and harness ...	A/R	
	9119511	Grommet—Chassis harness	1	
	9118527	Grommet—Choke control and petrol tank lead	4	
	9117521	Grommet—Headlamp lead	2	
	P.43586 s/d by 9118527	Grommet } Rear number	2	
	9118527	Grommet } plate lead	2	
	9119612	Grommet—Rear number plate	1	U.S.A. and Canada Series IV and V
	9118531	Grommet—Battery leads	1	

ELECTRICAL EQUIPMENT

Plate Ref.	Part Number	DESCRIPTION	No. per Veh.	REMARKS
		CONNECTORS		
	5037284 s/d by 9227100	Lucar connector } 12 amp.	A/R	
	9227100	Lucar connector } female	A/R	
	5037285 s/d by 9227101	Lucar connector } 35 amp.	A/R	
	9227101	Lucar connector } female	A/R	
	P.40883	Connector—Rubber covered	900288	A/R
F263	P.41405	Metal end—Connector	900269	A/R
		CLIPS		
	9179215	Clip }	1	Series I, II and III Series IV Automatic Series IV Standard transmission
	9179215	Clip } Dynamo cable	1	
	9178510	Clip }	1	
	9179044	Clip—Panel light harness	2	
	9179263	Clip—Starter motor cable to solenoid and idler relay	A/R	
	9179023	Clip—Speedometer trip cable	1	
	9179044	Clip—Harness to instrument panel	2	
	9178502	Clip—Cable to pedal bracket—L.H.D.	1	
	9179108	Clip—Flasher switch cable	1	Up to B94100000 BU, B94600000 CKD
	9179012	Clip—Harness to body	1	
	9178532	Clip—Coil to solenoid cable	3	Series IV U.S.A. & Canada
	9178582	Clip—Starter isolating cable	1	Series IV Automatic
	9179013	Clip—Speedo cable to gearbox support	1	
	9179215	Clip—Overdrive cable—Top cover	1	
	9179202	Clip—Overdrive cable—Clutch housing	1	
	9179013	Clip—Harness to gearbox	A/R	